

077



Medical IT System Insulation Monitoring and Fault Locating Devices

(7-Piece Set)

Installation and Operation Manual V2.9

Acrel Co., Ltd.

Declaration

Please read this instruction carefully before using this product. All pictures, logos and symbols involved are owned by Acrel Co., Ltd. All or part of the content shall not be reproduced publicly without written authorization by non-company personnel.

Please read the instructions and precautions in this operation manual carefully before using this series of products. Acrel will not be responsible for personal injury or economic loss caused by ignoring the instructions in this operation manual.

The equipment is professional electrical equipment, any related operation, need to be carried out by special electrical technicians. Acrel is not responsible for personal injury or financial loss resulting from the error of non-professional personnel.

The contents of this description will be updated and amended constantly, and it is inevitable that there will be a slight discrepancy between the physical product and the description in the product function upgrading. Please refer to the physical product purchased and obtain the latest version of the description through www.acrel.cn or sales channels.

Modified Records

No.	Time	Versions	Reasons for revision
01	2016.01.20	V2.0	On the basis of the original insulation monitoring products, all seven pieces of products are integrated into the content to completely replace the specifications of the products.
02	2016.11.07	V2.1	The overview added "products conform to Enterprise standards Q31/0114000129C013-2016 <i>IT System Insulation Monitoring Instrument</i> ".
03	2017.06.27	V2.2	Product wiring diagram was optimized.
04	2018.05.23	V2.3	Modified product wiring diagram.
05	2019.03.05	V2.4	Changed component model.
06	2019.10.30	V2.5	Adjustments were made in accordance with the new requirements of IEC 61557-8/9:2014
07	2020.07.02	V2.6	Add location setting in AID150 setting interface
08	2020.08.24	V2.7	Some product pictures and errors have been updated
09	2020.11.16	V2.8	Improved expansion function of AIL150 (allowed to extend to 3 sets of 24 loops)
10	2022.02.18	V2.9	Adjust the format, correct mistakes, update the cover, update the contact information.
Note:			

Contents

1 Introduction.....	1
2 Function features.....	2
2.1 Function features of AITR series medical isolation transformer	2
2.2 Function features of AIM-M200	3
2.3 ASG150 test signal generator.....	3
2.4 AIL150-4/AIL150-8 insulation fault locator.....	3
2.5 Function features of AID150 centralized alarm and display instrument	3
2.6 Function features of HDR-60-24 power supply instrument.....	4
2.7 Function features of AKH-0.66P26 current transformer	4
3 Reference standard.....	4
4 Technical parameters.....	4
4.1 Technical parameters of AITR series medical isolation transformer	4
4.2 Technical parameters of AIM-M200 medical insulation monitoring instrument.....	5
4.3 Technical parameters of ASG150, AIL150-4/AIL150-8 test signal generator	6
4.4 Technical parameters of AID150 centralized alarm and display instrument	6
4.5 Technical parameters of HDR-60-24 power supply instrument	7
4.6 Technical parameters of AKH-0.66P26 current transformer	7
5 Installation and wiring	7
5.1 Shape and mounting hole size.....	7
5.2 Installation method.....	10
5.3 Wiring method.....	12
5.4 Typical wiring diagram	15
5.5 Considerations.....	17
6 Programming and application	18
6.1 Panel description	18
6.2 LED indicator instructions	18
6.3 Button function descriptions	19
6.4 Button operation descriptions	20
7 Communication protocol.....	25
7.1 Modbus-RTU communication protocol.....	25
7.2 Introduction to the function code	25
7.3 Parameter address table of AIM-M200.....	26
7.4 CAN communication description.....	28
8 Typical applications	28
9 Powerup and debugging instructions	29
9.1 Wiring check.....	29
9.2 Common faults and eliminations	30
9.3 Settings and debugging	31



Medical IT System Insulation Monitoring and Fault Locating Devices






1 Introduction

The medical IT system is mainly used in important Class 2 medical locations such as operating room, ICU/CCU intensive care unit, providing safe, reliable and continuous power distribution for the important equipment at these locations. Medical insulation monitoring and fault locating device is developed by the many years' design experience of the Acrel Electric in electric power meter industry, according to the special requirements of the insulation monitoring and fault locating of the power distribution system in Class 2 medical locations. The products can realize the real-time monitoring of insulation, load and temperature of isolation transformer in IT system, and have the functions of system insulation fault loop positioning and centralized monitoring by multiple pieces of systems. Products conform to the provisions of enterprise standard Q31/0114000129C013-2016 *IT System Insulation Monitoring Instrument*.

Medical IT system insulation monitoring and fault locating products (seven-piece set) include AITR series medical isolation transformer, AIM-M200 medical intelligent insulation monitoring instrument, AKH-0.66P26 current transformer, AIL150-4/AIL150-8 insulation fault locator, ASG150 test signal generator, HDR-60-24 power module and AID150 centralized alarm and display instrument, which are shown in Table 1.

Table 1 Medical IT System Insulation Monitoring and Fault Locating Products

Type & Name	Picture	Description
AITR series medical isolation transformer		AITR series isolation transformer is specially used in medical IT system. The windings are treated with double insulation and have electrostatic shielding layer, which reduces electromagnetic interference between windings. The PT100 temperature sensor is installed in the wire bag to monitor the temperature of transformer. The whole body is treated with vacuum invasion paint, which increases mechanical strength and corrosion resistance. The product has good temperature rise performance and very low noise.
AIM-M200 medical intelligent insulation monitor		AIM-M200 medical intelligent insulation monitoring instrument adopts advanced microcontroller technology, which has high integration, compact size, convenient installation and integrates intelligence, digitalization and networking in one. It is ideal selection for insulation monitoring of isolation power system in Class 2 medical locations such as operating room and intensive care unit.

<p>AKH-0.66P26 current transformer</p>		<p>The AKH-0.66P26 type current transformer is the protective current transformer supporting the AIM-M200 insulation monitor, of which the maximum measurable current is 60A and the transformation ratio is 2000:1. The current transformer is directly fixed inside cabinet by screwing, and the secondary side is leaded out by the terminal, which is convenient to install and use.</p>
<p>AIL150-4/AIL150-8 insulation fault locator</p>		<p>AIL150-4/AIL150-8 insulation fault locator adopts high sensitivity transformer combined with high precision signal detecting circuit, which detects the signal imported into the system from ASG150 test signal generator and accurately locates the circuits which have insulation faults. AIL150-4 insulation fault locator can locate the insulation faults of 4 circuits, and the AIL150-8 insulation fault locator can locate the insulation faults of 8 circuits.</p>
<p>ASG150 test signal generator</p>		<p>The ASG150 test signal generator adopts 32-bit microprocessor chip and high-precision signal generation circuit to realize the generation of specific test signal. When the monitored IT system has insulation faults, it can start up and produce test signal in time, working with the insulation fault locator to realize insulation fault location.</p>
<p>HDR-60-24 power module</p>		<p>HDR-60-24 direct-current power supply can provide 24V DC power supply simultaneously for AIM-M200 medical intelligent insulation monitoring instrument, ASG150 test signal generator, AIL150 series insulation fault locator and AID150 centralized alarm and display instrument. The power supply is of high capacity, stable voltage output and convenient installation, which can meet the power-supply requirements of the above-mentioned meters and is the recommended power supply product.</p>
<p>AID150 centralized alarm and display instrument</p>		<p>AID150 centralized alarm and display instrument adopts the LCD liquid crystal display and achieves data exchange with AIM-M200 medical intelligent insulation monitoring instrument through RS485 communication interface, which can real-time monitor multi-channel data of AIM-M200 medical intelligent insulation monitoring instrument.</p>

2 Function features

2.1 Function features of AITR series medical isolation transformer

- The transformation ratio between the primary and secondary windings is 1:1;

- Double insulation treatment is adopted between the windings, shielding layer is designed;
- The Pt100 temperature sensor is installed in each wire packet to monitor the temperature;
- Used for the transformation of TN system into IT system (ungrounded system).

2.2 Function features of AIM-M200

- Functions of real-time monitoring and fault alarming of the ground insulation resistance, transformer load current and transformer winding temperature of the monitored IT system;
- Can be used with insulation fault locator, remotely starting fault-locating and displaying locating results when there are insulation faults;
- Real-time monitor the line disconnection fault, temperature sensor disconnection fault and the functional grounding line disconnection fault of the monitored system, and give the alarm indication within 2 second after the fault occurs. when the fault occurs;
- Relay alarm output, LED alarm indication and other faults indication functions;
- Two kinds of fieldbus communication technology, which are used for centralized alarm and display instrument, test signal generator, insulation fault locator and upper computer management software communications, and can monitor the operation status of IT system in real time.
- Fault records function, which can record alarm occurrence time and fault type and is convenient for operation personnel to analyze the operation conditions of system and promptly eliminate the faults.

2.3 ASG150 test signal generator

- The CAN bus technology is used to exchange data with other equipment;
- When the monitored IT system has an insulation fault, it can initiate and generate the fault location signal to the system, and realize fault locating function with the help of fault locator;
- Functions of L1, L2 disconnection detection, and can display the results through the luminous LED.

2.4 AIL150-4/AIL150-8 insulation fault locator

- The CAN bus technology is used to exchange data with other equipment;
- Cooperate with ASG150 test signal generator to realize fault locating function, in which the AIL150-4 can locate the insulation faults of 4 circuits and AIL150-8 can locate the insulation faults of 8 circuits. The positioned circuit is indicated by the LED indicator.

2.5 Function features of AID150 centralized alarm and display instrument

- Remotely monitor the real-time operation conditions of up to 16 pieces of systems, and the main interface intuitively displays whether the access system communication is intact;
- The insulation resistance alarm value, load current alarm value and transformer temperature alarm value of each system insulation monitoring instrument can be set up remotely, and the insulation monitor self-test can be activated remotely;
- When there are insulation faults, overload, excessive temperature rise of the voltage transformer or wiring faults in any of the monitored system, centralized alarm and display instrument can provide

corresponding sound and light alarm function, and can manually eliminate the alarm sound;

➤ Events logging function, which is convenient for operation personnel to analyze the operation conditions of system and promptly eliminate the faults, and can save maximum of 20 newest records.

2.6 Function features of HDR-60-24 power supply instrument

➤ AC 220V input, DC 24V output, with max output power of 60W;

➤ Used for the DC 24V power supply for AIM-M200 medical intelligent insulation monitoring instrument, ASG150 test signal generator, AIL150 series insulation fault locator, AID150 centralized alarm and display instrument and other instruments.

2.7 Function features of AKH-0.66P26 current transformer

➤ The maximum measurable current is 60A, and the transformation change ratio is 2000:1;

➤ Work with the AIM-M200 insulation monitoring instrument to measure the load current.

3 Reference standard

◆ IEC 60364-7-710 *Building electrical installations section 7-710: Requirements for special installations or locations----medical locations;*

◆ IEC 61557-8 *Electrical safety of low voltage distribution system below AC 1000V and DC 1500V, Test, measurement or monitoring equipment for protection test section 8: Insulation monitoring device for IT systems;*

◆ IEC 61557-9 *Electrical safety of low voltage distribution system below AC 1000V and DC 1500V, Test, measurement or monitoring equipment for protection test section 9: insulation fault positioning equipment for IT systems;*

◆ IEC61558-1 *Safety of power transformers, power supplies, reactors and similar products section 1: General requirements and tests;*

◆ IEC61558-2-15 *Safety of power transformers, power supplies and similar products section 16: Special requirements for isolation transformers for power supply in medical locations.*

4 Technical parameters

4.1 Technical parameters of AITR series medical isolation transformer

Refer to Table 2.

Table 2 Technical Parameters of AITR Series of Medical Isolation Transformer

Type	AITR10000	AITR8000	AITR6300	AITR5000	AITR3150
Insulation class	H	H	H	H	H
Protection class	IP00	IP00	IP00	IP00	IP00
Power/voltage/ current					
Rated power	10000VA	8000VA	6300VA	5000VA	3150VA
Rated frequency	50/60Hz	50/60Hz	50/60Hz	50/60Hz	50/60Hz
Rated input voltage	AC230V	AC230V	AC230V	AC230V	AC230V

Rated input current	45.3A	36A	28.5A	22.5	14.2A
Rated output voltage	AC230V/115V	AC230V/115V	AC230V/115V	AC230V/115V	AC230V/115V
Rated output current	43.5A	34.7A	27.4A	21.7	13.7A
Inrush current	<12In	<12In	<12In	<12In	<12In
Leakage current	<200 μ A	<200 μ A	<200 μ A	<200 μ A	<200 μ A
No load input current	1.359A	1.08A	0.855A	0.675A	0.426A
No load output voltage	235V \pm 3%	235V \pm 3%	235V \pm 3%	235V \pm 3%	235V \pm 3%
Short circuit voltage	<6.9V	<6.9V	<6.9V	<6.9V	<7.5V
General parameters					
Fuse wire	80A	63A	50A	35A	25A
Primary winding resistance	<55m Ω	<64m Ω	<80m Ω	<131 m Ω	<245m Ω
Secondary winding resistance	<45m Ω	<64m Ω	<80m Ω	<116 m Ω	<228m Ω
Iron loss	<150W	<105W	<107W	<77W	<55W
Copper loss	<230W	<200W	<170W	<125W	<120W
Efficiency	>96%	>96%	>96%	>96%	>95%
Maximum ambient temperature	<40 $^{\circ}$ C	<40 $^{\circ}$ C	<40 $^{\circ}$ C	<40 $^{\circ}$ C	<40 $^{\circ}$ C
No-load temperature rise	<36 $^{\circ}$ C	<33 $^{\circ}$ C	<31 $^{\circ}$ C	<26 $^{\circ}$ C	<22 $^{\circ}$ C
Full load temperature rise	<65 $^{\circ}$ C	<76 $^{\circ}$ C	<67 $^{\circ}$ C	<62 $^{\circ}$ C	<55 $^{\circ}$ C
Noise grade	<40dB	<40dB	<40dB	<40dB	<40dB

4.2 Technical parameters of AIM-M200 medical insulation monitoring instrument

Refer to Table 3.

Table 3 Technical Parameters of AIM-M200 Medical Intelligent Insulation Monitoring

AUX Power	Voltage	DC 18~36V	Temperature monitoring	Thermal resistor	Pt100
	Power consumption	\leq 3W		Measuring range	-50~+200 $^{\circ}$ C
Insulation monitoring	Resistance measuring range	15~999k Ω	Alarm output	Alarm value range	0~+200 $^{\circ}$ C
	Response value	50~999k Ω		Output mode	Relays
	Relative uncertainty	\pm 10%, \pm 10K	Environment	Contact rating	AC 250V/3A DC 30V/3A
	Response time	\leq 3s		Operating temperature	-10~+55 $^{\circ}$ C
	Permissible system leakage capacitance C_e	\leq 5 μ F		Transport temperature	-25~+70 $^{\circ}$ C
	Measuring voltage U_m	\leq 12V		Storage temperature	-25~+70 $^{\circ}$ C

	Measuring current I_m	$\leq 50\mu A$		Relative humidity	5~95%,No condensation
	Impedance Z_i	$\geq 200k\Omega$		Altitude	$\leq 2500m$
	Internal DC resistance R_i	$\geq 240k\Omega$	IP degree		IP30
	Permissible extraneous DC voltage U_{fg}	$\leq DC280V$	Rated impulse voltage / pollution degree		4KV/III
Load current monitoring	Measuring Value	2.1~50A	EMC/EMR		IEC 61326-2-4
	Alarm Value	5~50A	Communication protocol		CAN, customize
	Measuring accuracy	$\pm 5\%$			RS485, Modbus-RTU

4.3 Technical parameters of ASG150, AIL150-4/AIL150-8 test signal generator

Refer to Table 4.

Table 4 Technical Parameters of ASG150, AIL150-4/AIL150-8 Test Signal Generator

项目		Technical parameters	
		ASG150	AIL150-4 / 8
Auxiliary power supply	Voltage	DC 24V	DC 18~36V
	Maximum power consumption	$\leq 2VA$	
Monitored system	Rated voltage	0~242 VAC	
	Rated frequency	45~60Hz	
	Locating current	<1mA r.m.s.	—
Fault locating	Maximum circuit	—	4路、8路
	Response time	—	$\leq 5s$
Communication	Mode	CAN	
	Protocol	customize	

4.4 Technical parameters of AID150 centralized alarm and display instrument

Refer to Table 5.

Table 5 Technical Parameters of AID150 Centralized Alarm and Display Instrument

Parameters	Type	AID150
AUX Power	Voltage	DC 24V
	Power consumption	$\leq 0.6W$

Insulation Resistance Display Range	0~999kΩ
Insulation alarm range	50~999kΩ
Transformer Output Current Display	Percentage
Current alarm range	14A, 18A, 22A, 28A, 35A, 45A
Temperature alarm range	0~+200°C
Alarm mode	Sound and light alarm
Alarm type	Insulation fault, overload, and over temperature
Communication mode	RS485,Modbus-RTU
Display mode	LCD liquid crystal display, 128*64 dot array

4.5 Technical parameters of HDR-60-24 power supply instrument

Refer to Table 6.

Table 6 Technical Parameters of HDR-60-24 Power Supply Device

Parameters		Type	HDR-60-24
Power Parameters	Input		AC100~240V 1.8A
	Output		DC24V 2.5A
Installation type			35mm guide installation

4.6 Technical parameters of AKH-0.66P26 current transformer

Refer to Table 7.

Table 7 Technical Parameters of AKH-0.66P26 Current Transformer

Input current	0.5mA~50A	Frequency range	0.02~10 kHz
Output current	0.025~25 mA	Loading resistance	<200Ω
Temperature coefficient	100 ppm/°C	Transient current (1s)	200A
Phase displacement	10'	Installation	Fixed with 4×10 screws
Operating temperature	-35~+70°C	Secondary wiring	Shielded twisted pair cable 2*0.3mm ² , 2m
Storage temperature	-40~+75°C		
Secondary resistance range	95~120Ω	Isolation pressure	5000Vac
Accuracy	0.5%	Linearity	0.5%

5 Installation and wiring

5.1 Shape and mounting hole size

5.1.1 External dimensions of AITR series medical isolation transformer (unit: mm)

Shape structure and size of AITR series medical isolation transformer are shown as below and in Table 9 (unit: mm)

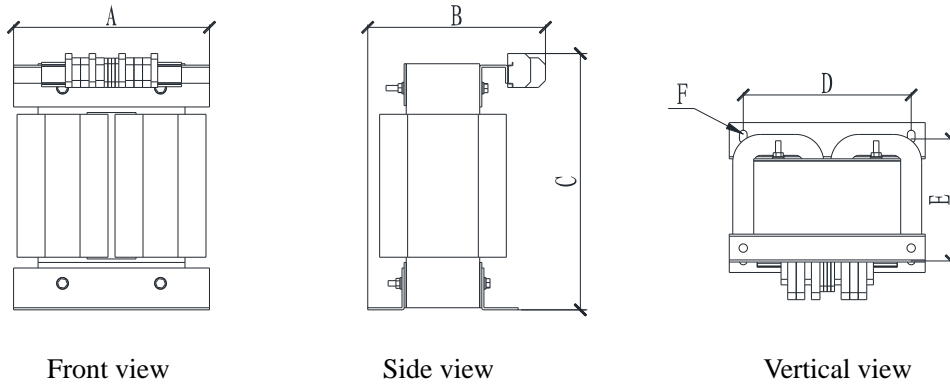
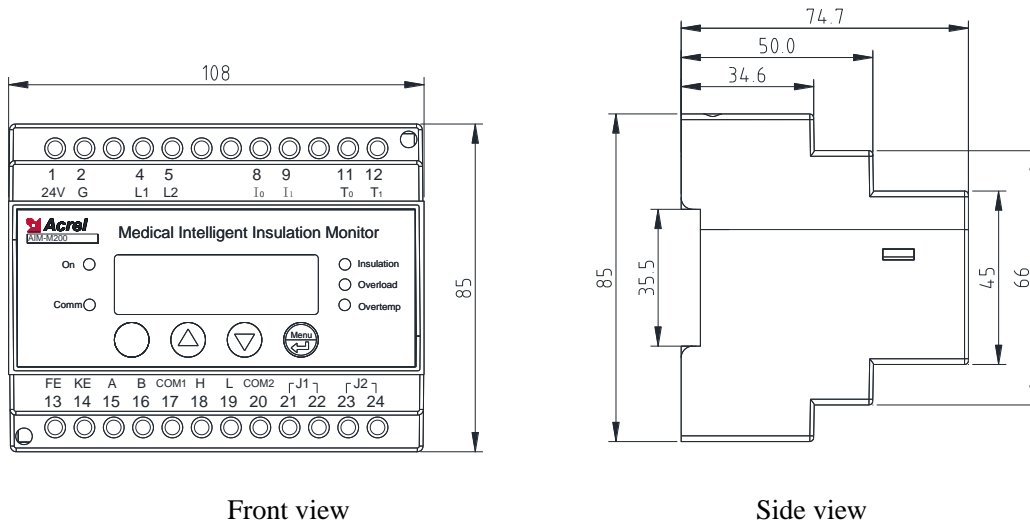


Table 8 External Dimensions of AITR Series Medical Isolation Transformer

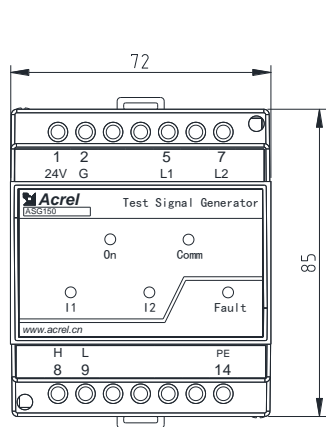
Type	Capacity	A(mm)	B(mm)	C(mm)	D(mm)	E(mm)	F(mm)	Total weight
AITR10000	10000	280	240	427	240	190	11*8	92
AITR8000	8000	280	240	427	240	190	11*8	90
AITR6300	6300	280	225	427	240	175	11*8	75
AITR5000	5000	280	225	427	240	175	11*8	73
AITR3150	3150	280	215	427	240	175	11*8	53

Note: according to the standard, the maximum capacity of medical single-phase isolation transformer is 10kVA; Dimensions A, B, and C are the length, width, and height of the transformer; dimensions D, E, and F are the installation dimensions of the transformer; F is the mounting hole position. M8*30 screws are recommended to fix the transformer.

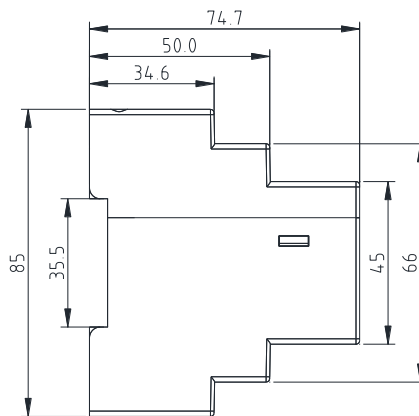
5.1.2 External dimensions of AIM-M200 (unit: mm)



5.1.3 External dimensions of ASG150 test signal generator (unit: mm)

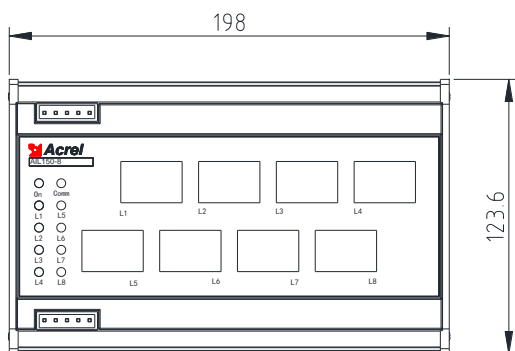


Front view

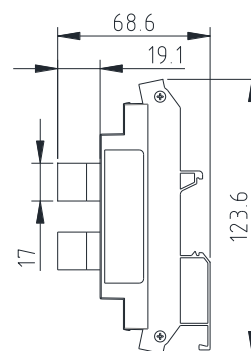


Side view

5.1.4 External dimensions of AIL150-4/AIL150-8 insulation fault locator (unit: mm)



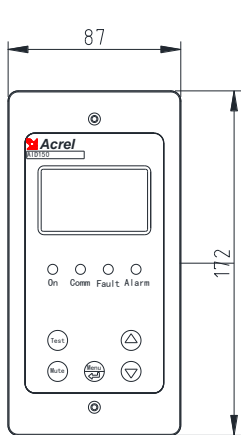
Front view



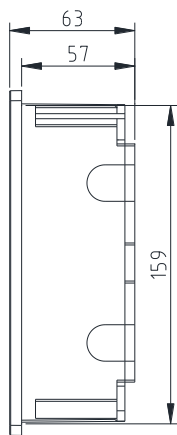
Side view

Note: AIL150-4 and AIL150-8 have the same shell and different number of transformers.

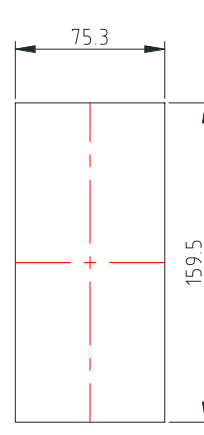
5.1.5 External dimensions of AID150 centralized alarm and display instrument (unit: mm)



Front view

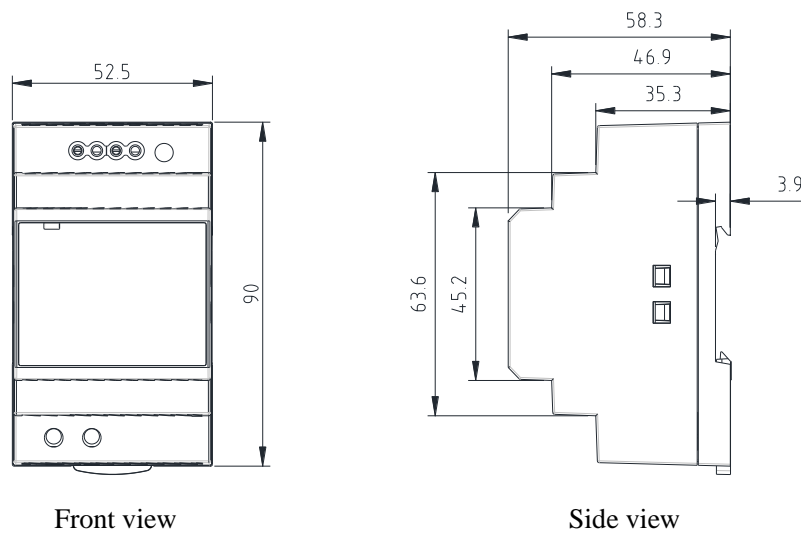


Side view

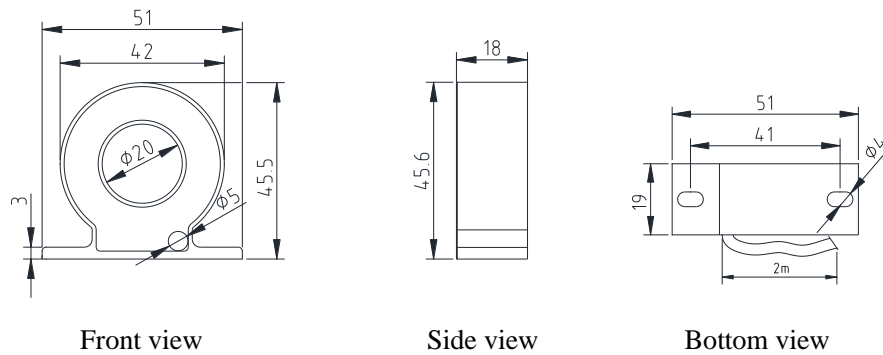


Hole size

5.1.6 External dimensions of HDR-60-24 power module (unit: mm)



5.1.7 External dimensions of AKH-0.66P26 current transformer (unit: mm)

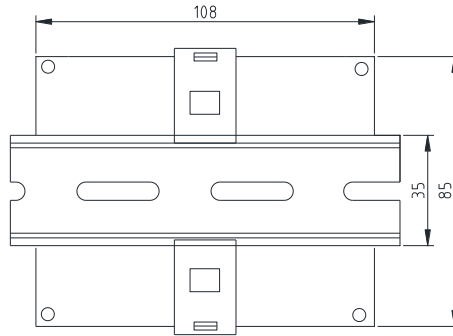


5.2 Installation method

Medical IT system insulation monitoring and fault locating instrument seven pieces of products are preferably installed in the distribution cabinet (isolation power cabinet) except for the AID150 centralized alarm and display instrument. The isolation transformer is installed in the bottom of the distribution cabinet fixed with matching bolts, and the cooling fan should be installed. The instrument and the circuit breaker are installed on the upper panel. If the isolation transformer is installed separately, it is not suitable to put it too far away from the AIM-M200 insulation monitor. If the AID150 centralized alarm and display instrument is used in the operation room, it can be embedded in the wall and installed in the operating room next to the intelligence panel, so that the medical staff can view conveniently. If it is used in ICU/CCU and other intensive care units, it should be installed in the nurses station, so that the duty nurses can view. AID150 external wirings include two 24V power cords and a RS485 communication line of two-core shielded twisted pair, which are all drawn from the isolation power cabinet. Pay attention to reserve pipelines during construction.

5.2.1 Installation mode of AIM-M200 medical intelligent insulation monitoring instrument

AIM-M200 insulation monitor adopts the installation method of the guide rail, and the fixation mode is the clip buckle type, as shown in the following figure:



5.2.2 Installation mode of ASG150 test signal generator

The ASG150 adopts the installation method of the guide rail, and the fixation mode is the clip buckle type, which can be installed on the same guide rail as AIM-M200 insulation monitor.

5.2.3 Installation mode of HDR-60-24 power module

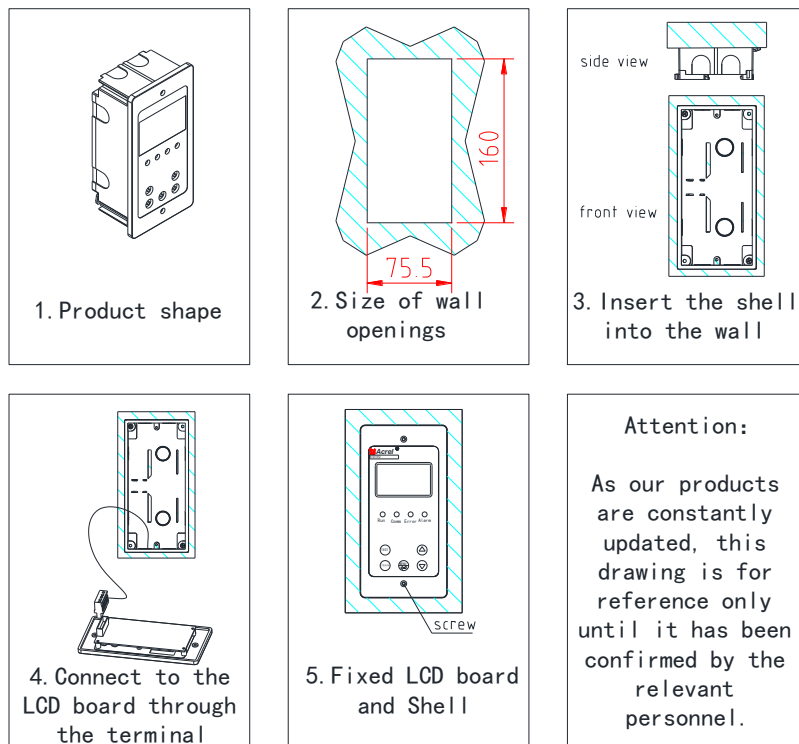
The HDR-60-24 power module adopts the installation method of the guide rail, and the fixation mode is the clip buckle type, which can also be installed on the same guide rail as AIM-M200 insulation monitor.

5.2.4 Installation mode of AIL150-4/AIL150-8 insulation fault locator

AIL150-4 /AIL150-8 adopts guide rail installation mode, fixed mode is buckle type. Since all branches of the IT system are connected to the load after passing through each transformer of AIL150, AIL150 should be close to the output end of each branch during installation in order to facilitate wiring.

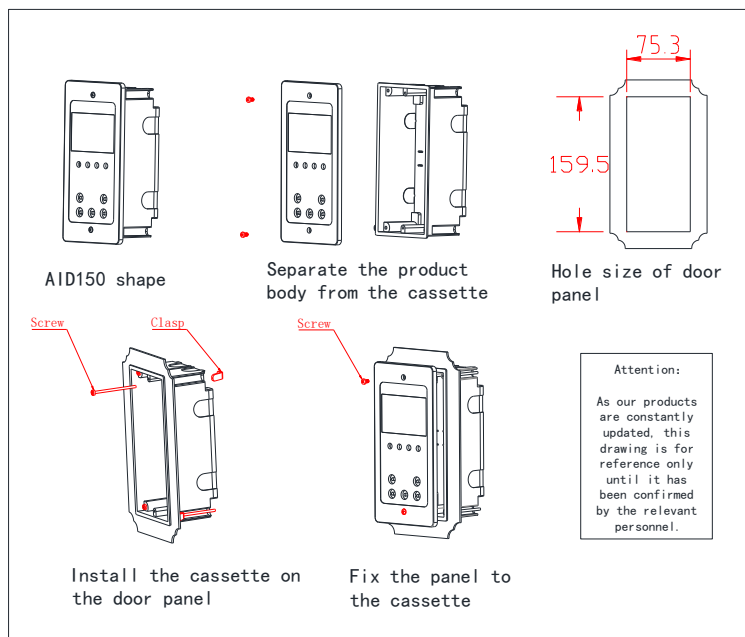
5.2.5 Installation mode of AID150 centralized alarm and display instrument

(1) If you choose to embed the wall for installation, the installation diagram is as follows:



When decorating, first place in the right wall openings, and then isolated power cabinet lead (two power cable with 1.5mm² cables and one shielded twisted-pair cable with 1.5mm² cable) introducing the receiving terminal, the shell knocked down hole near the line, then embedding external alarm and display the shell wall and internal fixation, the terminal to circuit board corresponding terminals on the front cover, Install the panel on the housing and fix it with the supplied tapping screws.

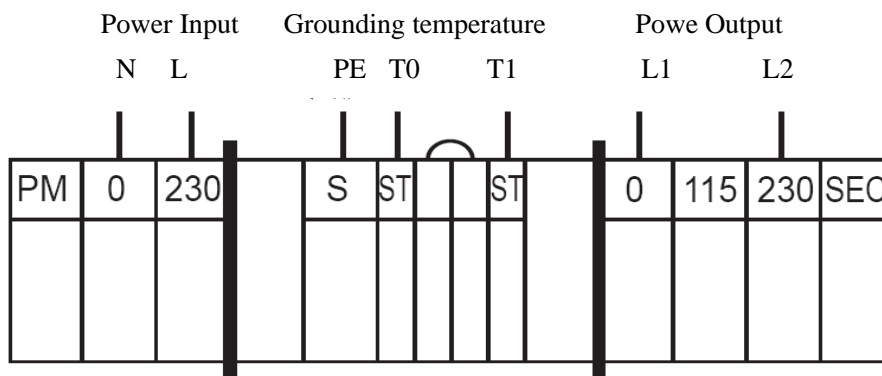
(2)If you choose to install AID150 by opening the cabinet door, the installation diagram is as follows:



5.3 Wiring method

5.3.1 Wiring mode of AITR series medical isolation transformer

The input terminals at the transformer terminal blocks are labeled with “PM”, in which two terminals 0 and 230 are connected to the input 220V single-phase AC. The output terminals are labeled with “SEC”, in which the output voltage of two terminals 0 and 230 is AC 220V and is connected to external field load. The S terminal is connected to the PE bus bar on the spot (or the equipotential terminal line). Two ST terminals are temperature sensor interfaces, which are respectively connected to the 11 and 12 terminals of AIM-M200 insulation monitoring instrument.

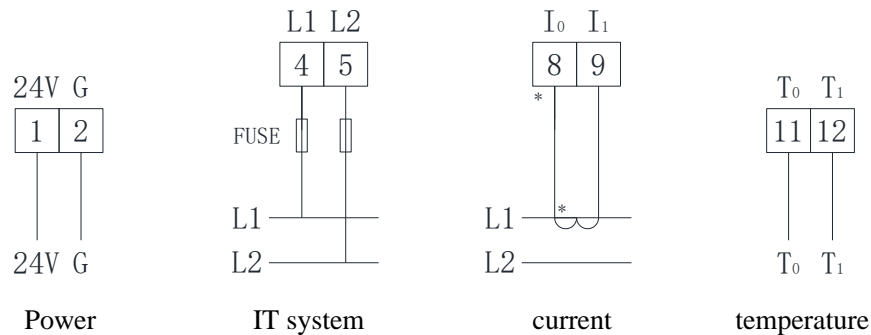


Note: The wirings of input and output terminals of the isolation transformer should select the copper wires

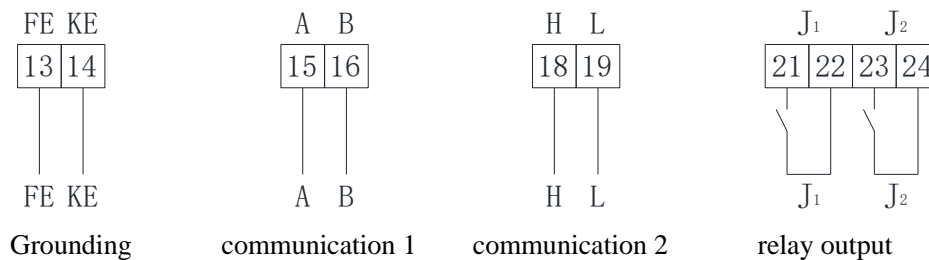
matching the line diameter based on the isolation transformer rated input and output current (refer to tables in section 5.4). S terminal wiring can select 2×4mm² yellow-green wire. The wiring of two ST terminals can select 2×1.5mm² shielded twisted pairs, and the wiring should not be too long.

5.3.2 Wiring mode of AIM-M200

Upper row terminals: 24V, G for the auxiliary power supply, and L1, L2 are connected to the monitored IT system (which can be connected can be connected with U1 and U2 in parallel, and then connected to the two output terminals of isolation transformer). I0, I1 for the current transformer signal input, and T0, T1 as the temperature sensor signal input.



Lower row terminals: KE, FE are the functional grounding wires, which should be connected to the on-site equipotential terminals by two independent wires. A and B for RS485 communication terminals, H and L for CAN communication terminal blocks (which are used for the communication connections with ASG150 test signal generator, AIL150 series insulation fault locator and AID150 centralized alarm and display instrument), J1 for over-temperature alarm output (for control of cooling fan), and J2 for fault alarm relay output.



Note:

(1)The wirings connecting the 1 and 2 terminals of the insulation monitoring instrument to the 24V power supply can select 2×1.5mm² copper wires, and the L1 and L2 terminals corresponding to the 4 and 5 can select 2×1.5mm² multistrand copper wires, and the FE and KE terminals corresponding to the 13 and 14 can select 2×4mm² yellow-green wires (grounding wires). J1, J2 relay output are the dry nodes, which need additional power supply during the control of external load. For example, J1 controls AC 220V cooling fan, then the AC 220V power supply is needed, and the wiring line type should be determined according to the load current.

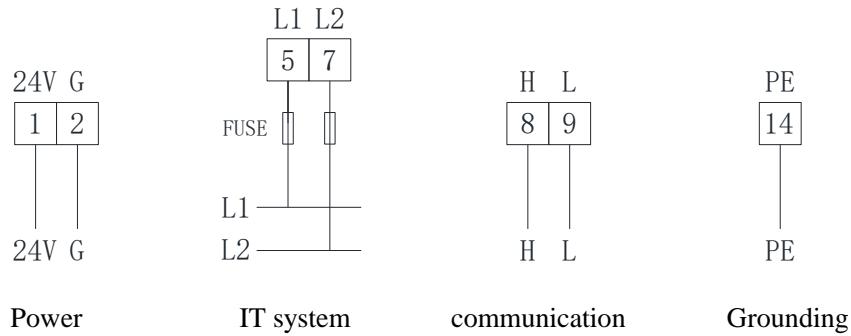
(2)The transformer signal wires corresponding to the 8, 9 terminals, the temperature signal wires corresponding to the 11, 12 terminals, the RS485 communication wires corresponding to the 15, 16 terminals, as well as the CAN communication wires corresponding to the 18, 19 terminals line can select 2×1.5mm²

shielded twisted pairs, and the COM port for communication is not connected.

5.3.3 Wiring mode of ASG150 test signal generator

Upper terminal: 24V and G are auxiliary power supply, L1 and L2 are connected with monitored it system (parallel connection can be made to output terminal of isolation transformer);

Lower terminal: PE is connected to equipotential terminal block on site, H and L are can communication terminals (connect with AIM-200 and AIL150).

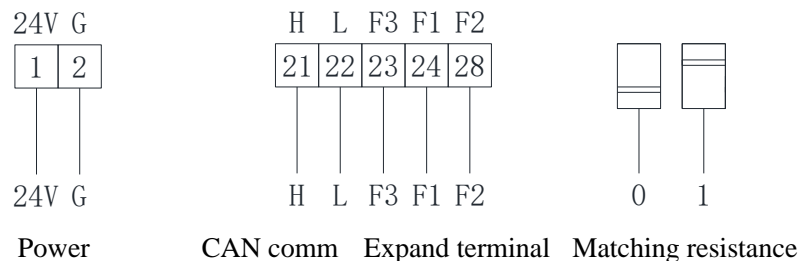


Note: Please refer to the wire type selected by aim-m200 insulation monitor for relevant wire type selection.

5.3.4 Wiring mode of AIL150-4/AIL150-8 insulation fault locator

Upper row terminals: 24V, G are auxiliary power supply.

Lower-row terminals: H, L are CAN communication terminals (used for communication terminals connection with medical intelligent insulation monitor, centralized alarm and display instrument, and test signal generator).



Lower-row terminals (23,24,28): F1, F2,F3 are used for the loop expansion function of insulation fault locator. When the number of circuits needed to located is beyond 8 in one set of IT system, you can simultaneously use three (and three at most) AIL150 series insulation fault locators. When expanding the second insulation fault locator, the wiring of terminals F1 and F2 needs to be short circuited; when expanding the third insulation fault locator, the wiring of terminals F1 and F3 should be short circuited. After short circuit connection, the number of branches located by the second fault locator becomes 9-12 (AIL150-4), or 9-16 (AIL150-8); the number of branches located by the third fault locator becomes 17-20 (AIL150-4), or 17-24 (AIL150-8).

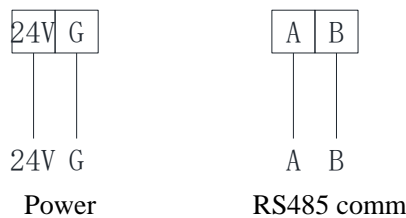
In order to ensure the normal operation of CAN communication, the CAN interface of each instrument needs to be connected by hand in hand approach, at the same time, the head and end of the communication bus wire should be connected with a 120Ω matching resistor. The AIL150 series

insulation fault locator can connect the built-in matching resistors to the bus wire in parallel through the dial code switch. When the CAN communications of each instrument are connected hand in hand, the AIL150 can be placed on the head or end of the CAN bus wire, and the two dial code switches should be dialed to position 1 (that means the top), thus the 120Ω matching resistors can be added to ensure smooth communication. If AIL150 is connected in end, the two dial code switches should be dialed to the position 0 (that means the bottom) to disconnect the matching resistors.

Note: The relevant wiring type selection can refer to the above AIM-M200 insulation monitor selected wire type. The COM port for communication does not connect to the outside.

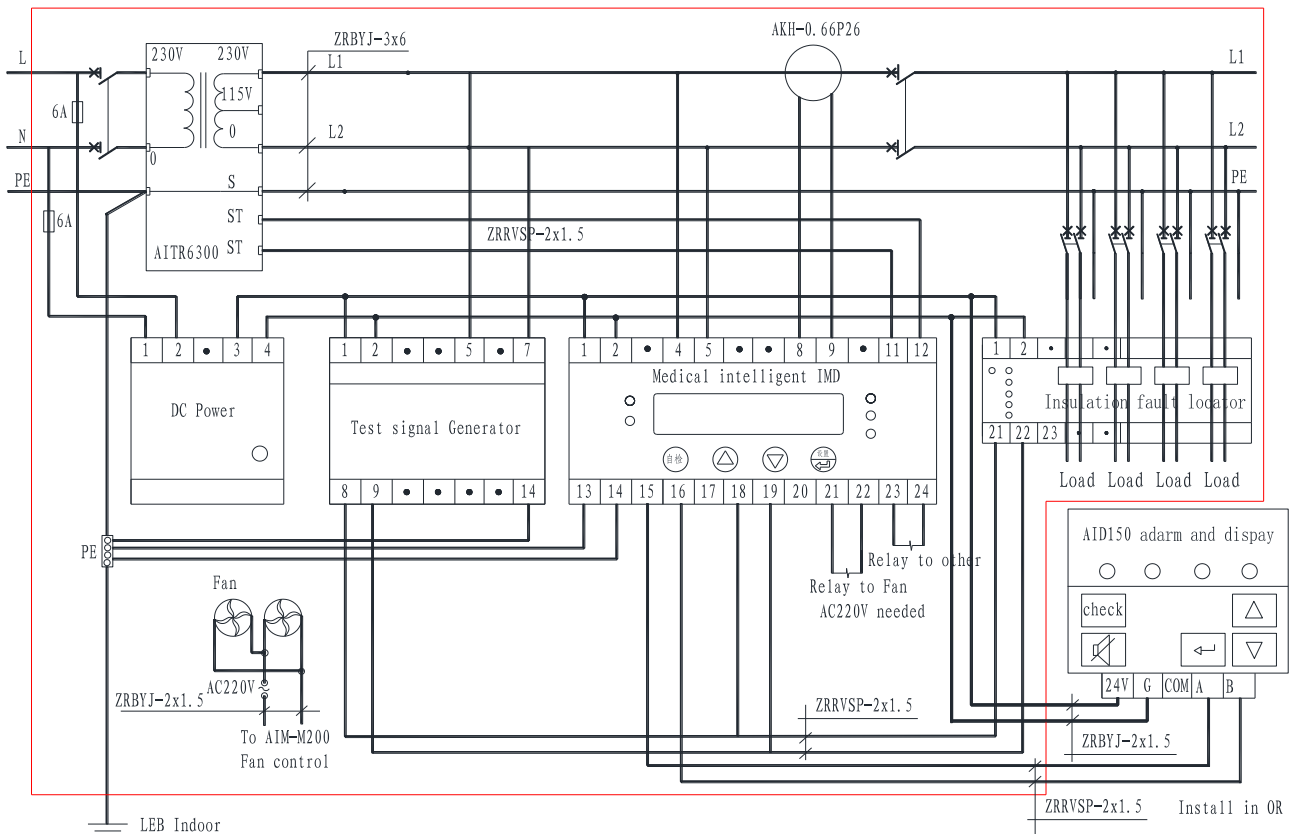
5.3.5 Wiring mode of AID150 centralized alarm and display instrument

A and B terminals are connected with A and B in the lower terminal of AIM-M200. The terminals of the power supply correspond to the positive pole and ground of the 24V DC power supply respectively. The wiring diagram is shown in the following figure.



The 24V power supply can be connected by multiple copper wires of 2 x 1.5mm², and the RS485 communication terminal can be connected by shielded twisted pair of 2 x 1.5mm².

5.4 Typical wiring diagram



More information:

(1)The connection line diameter of the input and output of the isolation transformer should match the rated current of the isolation transformer, or it can be selected according to the following table:

Isolation transformer type	Selected line diameter
AITR3150	3×4mm ²
AITR5000/AITR6300	3×6mm ²
AITR8000/AITR10000	3×10mm ²

(2)The auxiliary power supply for AIM-M200 insulation monitoring instrument (1, 2), ASG150 test signal generator (8, 9), AIL150 insulation fault locator (1, 2), and AID150 centralized alarm and display (24V, G) are all DC 24V, which is supplied by the HDR-60-24 DC power module (24V output terminals: 3, 4). Considering that the switching power supply may interfere with the IT system, the AC 220V (1, 2) input by DC power module is introduced by the input terminal of the isolation transformer and is connected with the fuse protector of 6 A.

(3) The relay output control of the 21 and 22 terminals of the AIM-M200 insulation monitor is a dry node, which needs an additional fan power supply when used for the fan control. When multiple transformers are centrally installed in one isolation power cabinet, multiple fans should be connected in a parallel mode controlled by multiple insulation monitors, that is, every one insulation monitor can start or stop all fans.

(4) AKH-0.66P26 only needs to pass through one of the L1, L2 two wires of the isolation transformer secondary side output terminal, but can not pass through the two wires simultaneously. The output is connected with the 2×1.5mm² wire to the 8, 9 terminals of AIM-M200, which is not allowed for grounding.

(5) In order to reliably monitor the grounding insulation of the isolation power system, the 4, 5 terminals of AIM-M200 insulation monitor should be reliably connected to IT system (which can be connected in parallel to the output terminal of the isolation transformer) with 2×1.5mm² multicore copper wires, and the 13, 14 terminals should be respectively connected to the on-site equipotential terminals (or the grounding terminals in the isolation power cabinet) with two independent 4mm² yellow-green grounding wires.

(6) In order to realize reliable fault location, the 5, 7 terminals of ASG150 test signal generator should be reliably connected to the IT system (which can be connected to the output terminal of the isolation transformer) with 2×1.5mm² multi-core copper wires, and the 14 terminal should be connected to the on-site equipotential terminals (or the grounding terminals in the isolation power cabinet) with one 4mm² yellow-green grounding wire. The two load distribution wires (excluding PE wire) of each branch of the isolation power system should together pass through each transformer of the AIL150 series fault locator in a top-down method, and then are connected to the terminal load.

(7) The CAN communication line between AIM-M200 (terminals 18 and 19), ASG150 (terminals 8 and 9) and AIL150 (terminals 21 and 22) can be connected by $2 \times 1.5\text{mm}^2$ shielded twisted pair. When wiring, the method of hand-in-hand (that is, after the communication line of the previous table is connected to the communication terminal of this table, it is led out from the terminal of this table and connected to the communication terminal of the following table). The head and end of the CAN bus One matching resistor shall be connected in parallel between the two communication terminals of. The recommended resistance value attached with the goods is 120Ω . Terminals 13 and 14 of AIM-M200 are RS485 communication terminals, which are used to communicate with AID150.

5.5 Considerations

(1) Medical IT system insulation monitoring and fault locating seven pieces of products should be centrally installed in the isolation power cabinet except for AID150. If the field space is too limited to apply the isolation power cabinet, the isolation transformer can be installed separately, but should not be too far away from the insulation monitor and the field load.

(2) The installation of wiring should strictly follow the wiring diagrams, which should preferably use the pressure connection with the needle-type fittings, and then insert into the corresponding terminal of the instrument and tighten the screws to avoid the abnormal work conditions of instrument caused by loose connection.

(3) The grounding wire of the instrument and the transformer shall be reliably connected with the equipotential terminals in the field. When applying the isolation power cabinet, it should be connected to the grounding terminals in the isolation power supply cabinet, and then to the equipotential terminals in the field.

(4) The current input of AIM-M200 medical intelligent insulation monitoring instrument should use a matching AKH-0.66P26 type current transformer. It is recommended to use pressure connection with U-type indenters during wiring operation, and then connect to the CT terminal. Do not directly use the bare head connection, for the considerations of reliable connection and easy disassembly. Before removing the wiring, the CT primary circuits must be cut off or the secondary circuits must be short connection.

(5) Note that AIM-M200 Medical Intelligent Insulation Monitor can not be connected in parallel with other similar systems (such as residual current monitor).

(6) Special reminder:

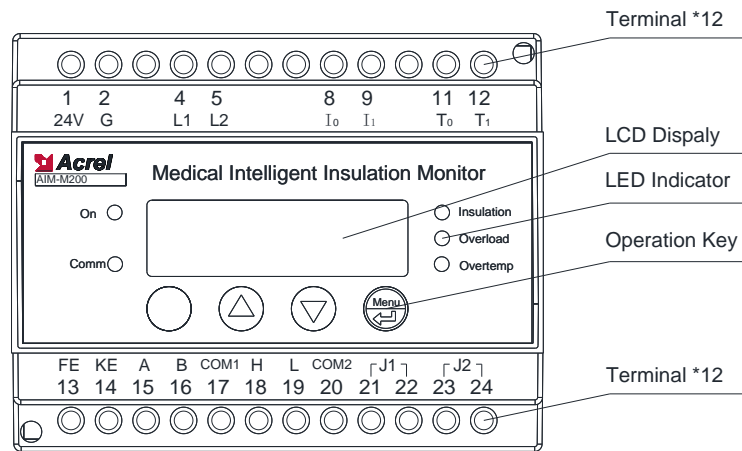
Any isolation transformer will have an impact current when it starts up, and too large impact current may cause the circuit breaker at primary side of the transformer difficult to disconnect or shut down. Therefore, for medical IT systems composed of medical isolation transformers and insulation monitoring products, in the selection of inlet circuit breaker of the isolation transformer, it is recommended to choose the circuit breakers only with short circuit protection

but without overload protection according to GB requirements. If choosing the circuit breaker with overload protection, the circuit breaker should conform to the C and D tripping curves of GB14048.2-2008, and the rated current of the circuit breaker should be determined according to the capacity of the isolation transformer as follows: 10kVA-63A, 8kVA-50A, 6.3kVA-40A, 5kVA-40A, 3.15kVA-20A. If the circuit breaker selection is not in accordance with the above requirements, the company shall not be liable for any medical malpractice caused by the closure difficulty of the circuit breaker or the disconnection of the circuit breaker during operation.

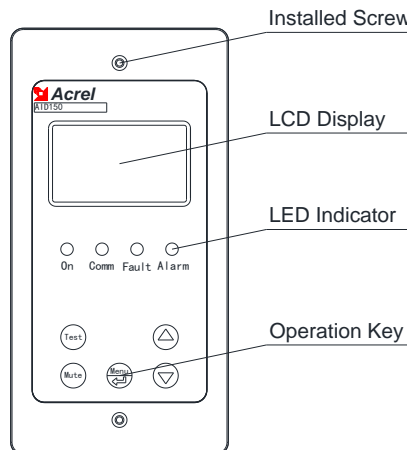
6 Programming and application

6.1 Panel description

(1) Panel of AIM-M200



(2) Panel of AID150



6.2 LED indicator instructions

6.2.1 LED indicator instructions of AIM-M200 medical intelligent insulation monitoring instrument

Indicator	Instructions
On	When the instrument operation is normal, the indicator light flashes, with the flashing frequency of about one time per second.
Comm	Indicate the status of device communication, when there is data communication, the indicator light flashes.

Insulation	When the insulation resistance exceeds the alarm value, or when the LL/FK is disconnected, the indicator light flashes to alarm.
Overload	When load current exceeds the total load current of transformer, the indicator light flashes to alarm.
Overtemp	When testing transformer temperature exceeds the alarm value, or when the temperature sensor wiring is disconnected, the indicator light flashes to alarm.

6.2.2 LED indicator instructions of ASG150 test signal generator

Indicator status	Instructions
On	When the instrument operation is normal, the indicator light flashes, with the flashing frequency of about one time per second.
Comm	Indicate the status of device communication, when there is data communication, the indicator light flashes.
L1	In case of ground fault on L1, "L1" light is on
L2	In case of ground fault on L2, "L2" light is on
Fault	When L1 and L2 disconnection fault occurs to the device, "Fault" light is on

6.2.3 LED indicator instructions of AIL150-4/AIL150-8 insulation fault locator

Indicator status	Instructions
On	When the instrument operation is normal, the indicator light flashes, with the flashing frequency of about one time per second.
Comm	Indicate the status of device communication, when there is data communication, the indicator light flashes.
L1~L8	Indicate the circuits of the insulation fault

6.2.4 LED indicator instructions of AID150 centralized alarm and display instrument

Indicator status	Instructions
On	When the device is in normal operation, the indicator flashes, and the flickering frequency is about once a second.
Comm	Indicate the status of device communication, when there is data communication, the indicator light flashes.
Fault	When AIM series monitor detect disconnection failure, indicator flashes alarm
Alarm	When AIM-M series monitor exceed threshold alarm, indicator flashing alarm

6.3 Button function descriptions

6.3.1 Button function descriptions of AIM-M200 medical intelligent insulation monitoring instrument

AIM-M200 has four buttons in total, namely the "Setting and Enter" shared button, "▲" Up button, "▼" Down button, and "Self-test" button.

Buttons	Button function
Setting and Enter shared button	In non-programming mode, press this button to enter the programming mode; In programming mode, used as the Enter button.
▲ Up button, ▼ Down button	In non-programming mode, used to view the fault records, the version signal, or to register addresses to AID150. In programming mode, used to increase or decrease the values and digits, or to change the protection action status

Self-test button.	In operation state, used to start the self-test function of instrument. In other state, used as return function.
-------------------	--

6.3.2 Button function descriptions of AID150 centralized alarm and display instrument

The centralized alarm and display instrument has five buttons in total, namely the "Mute" button, "Menu & Enter" shared button, "▲" Up button, "▼" Down button, and "Test" button.

Key	Functions
Eliminate sound button	When there is alarm, press this button to eliminate the alarm sound.
▲ Up button, ▼ Down button	In programming mode, used to increase or decrease the single-digit.
Self-test button	In non-programming mode, used to start the self-test function of instrument. In other state, used as return function.
Menu and Enter shared button	In non-programming mode, press this button to enter the programming mode; In programming mode, used as the Enter button.

6.4 Button operation descriptions

6.4.1 Button operation of AIM-M200 medical insulation monitoring instrument in RUN mode

(1) Enter RUN the operation mode. The mode of the default entry is RUN mode, after the LCD displays the software version number, if you do not do other button operation, the system goes into RUN mode and starts operation. The main interface shows the insulation resistance value, temperature value, current value, load rate and current system time.

(2) View the alarm records. In the main interface, press "Down button" to enter the "Fault records query" interface, and press "enter" button to confirm, then you can turn the pages through "Down button" or "Up button" to query each fault record in sequence. The first record is the most recent record, and the tenth is the oldest record.

(3) View software version information. In the main interface, you can see the version information of the software by pressing the "Down button" twice consecutively.

(4) Register address (CAN communication address) to AID150. When AIM-M200 and AID150 are used together, if AIM-M200 does not successfully register address to AID150, the manual registration is required. In the main interface, press the "Down button" three times consecutively, entering into the AID150 address registration interface, and press Enter button to achieve address registration. After the registration, it will automatically return to the main interface. If the registration is successful, the CAN communication indicator light starts flashing, indicating that communication is normal.

(5) Instrument self-test. In the main interface, press the "Self-test" button, then the monitor will start the Self-test program, simulating the overload fault, insulation fault and over-temperature fault to test whether the detection and judgment function of the instrument to the main faults is normal. If the monitor can detect the above three kinds of faults, it indicates that the instrument function is normal.

6.4.2 Button operation of AIM-M200 medical insulation monitor in programming mode

(1) Enter the programming mode

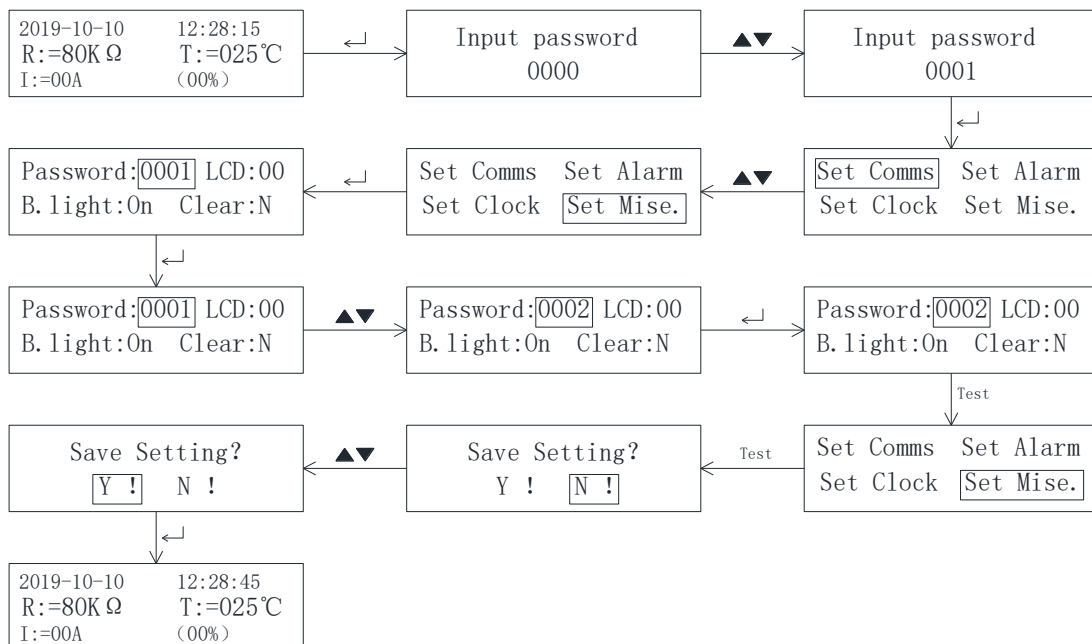
Under normal operation conditions, press the "Setting" button to enter into the code input page of the programming mode. Change the password size by pressing "Up button" or "Down button", and press "Enter" button after entering the correct password to enter the programming mode.

(2) Exit programming mode

In the programming mode, press the "TEST" key to enter the save confirmation menu, select [Y] or [N] through the "▲" or "▼" key, and then press the "↵" key to exit the programming mode. If [Y] is selected before exit, the parameter settings will be saved; if [N] is selected, they will not be saved.

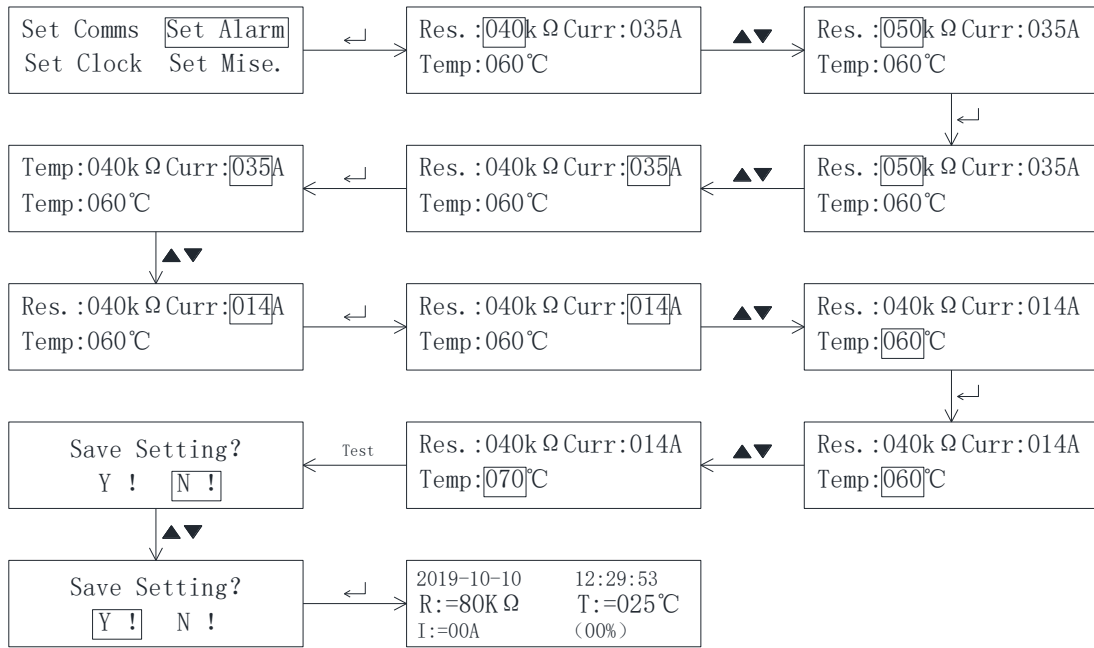
(3) System password setting

In programming mode, select [Other Settings] by "▲" or "▼", and press "↵" button to enter other settings item, then make the password number part reverse video by "▲" or "▼", and press "↵" button to confirm the modification. At this time you can change the password value by "▲" or "▲", and press "↵" button to confirm after modification, then press "Test" button to save and exit programming mode. Examples of operations are as follows:



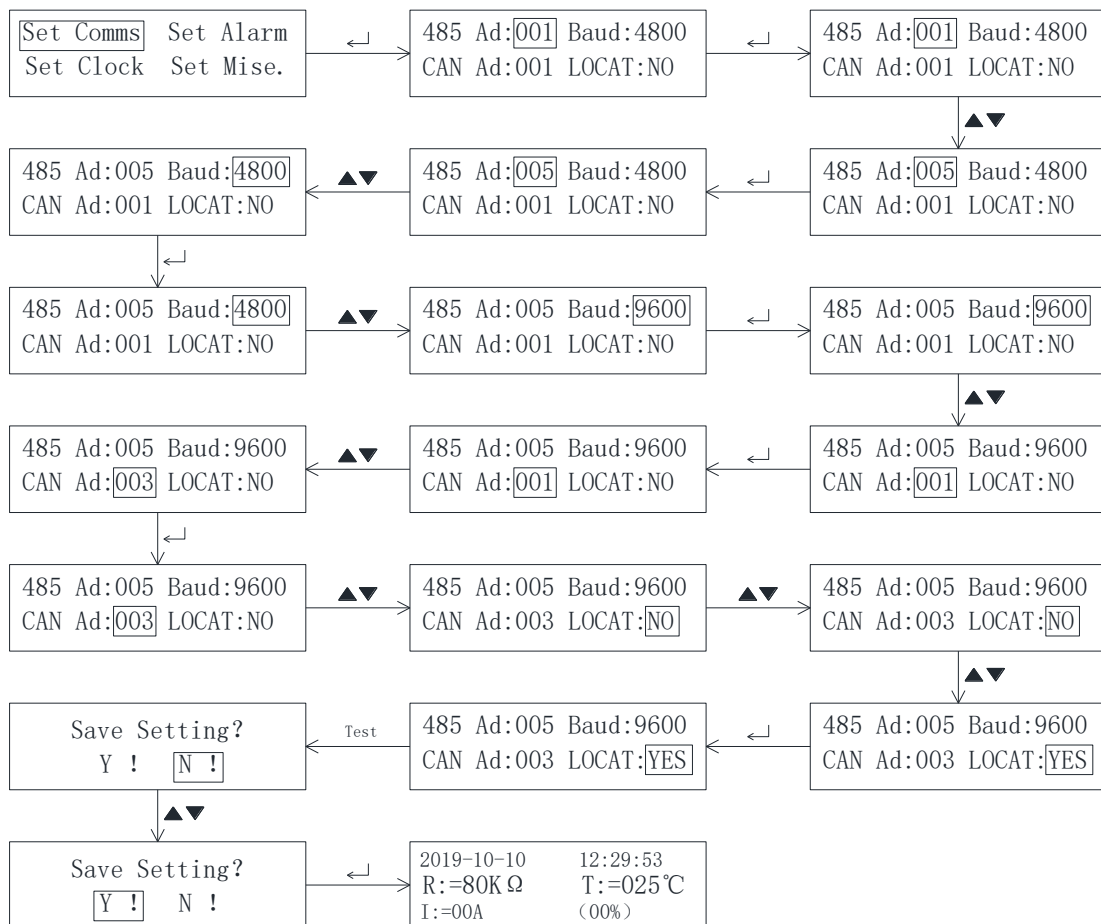
(4) Alarm parameter setting

Alarm parameters are used to set the parameters of system insulation alarm, current overload alarm and transformer temperature alarm, which are similar to the steps of "system password setting". The following only provides examples for setting insulation alarm value, current overload alarm value and temperature alarm value. The insulation alarm value is set to 50kΩ, and the current alarm value is set to 14A and the temperature alarm value is set to 70°C. The procedure is as follows:



(5) Communication settings

Communication settings include RS485 communication settings and CAN communication settings. The RS485 communication address is set to 005, and the primary baud is set to 9600bps. The CAN communication address is set to 003, with a fault locator. Examples of programming are as follows:



(6) Other parameter settings.

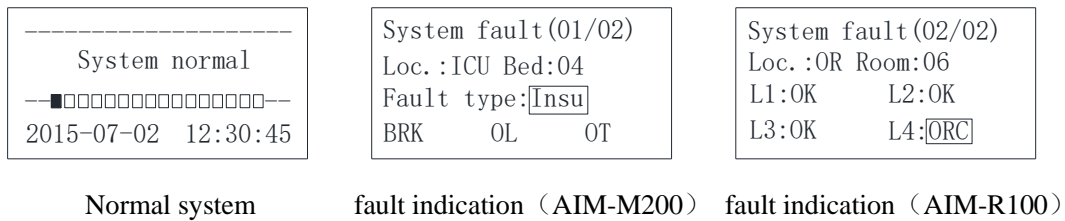
The settings for other parameters include contrast settings, backlight time settings, and clearing fault records, which are similar to the setting methods of system password settings.

6.4.3 Button operation of centralized alarm and display instrument

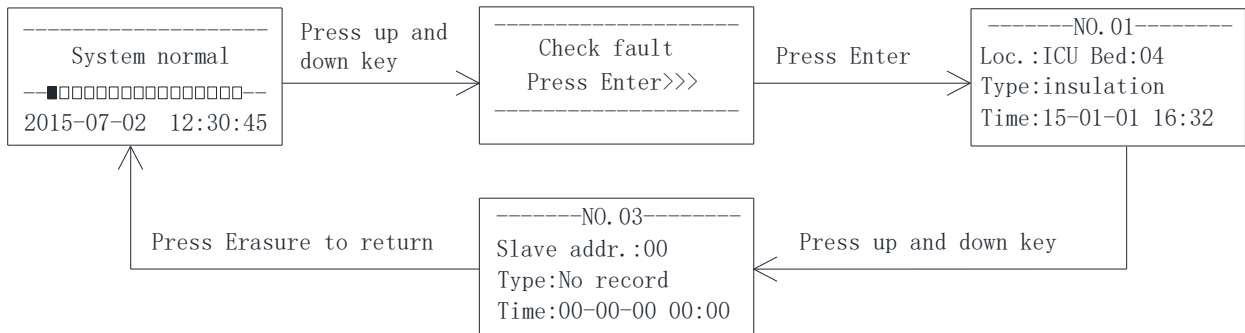
6.4.3.1 AID150

(1) Description of the Operating Interface

After the system is powered on, if there is no fault alarm, AID150 shows the normal operation interface as shown in the following figure. The black boxes in the figure indicate that the corresponding address serial number is connected to the instrument communication, and the black boxes indicate that there is no instrument connection, or that the communication is not connected. When the insulation monitor or residual current monitor detects the fault, AID150 displays the corresponding alarm interface and sends out the corresponding sound and light alarm.

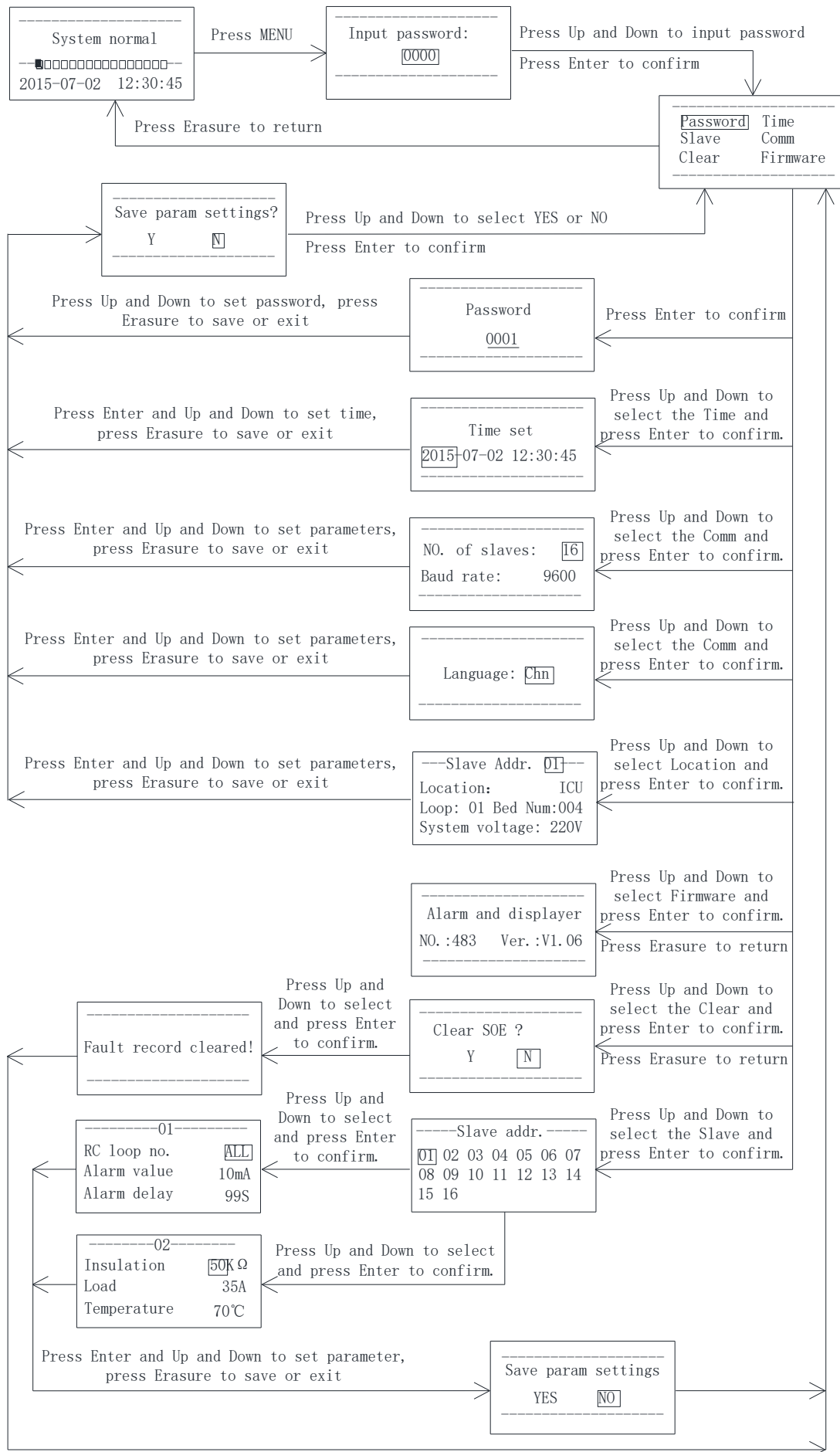


(2) Fault record viewing interface operations and descriptions



(3) Programming Interface Operation and Explanation

The operation method and process are shown in the following flow chart.



7 Communication protocol

7.1 Modbus-RTU communication protocol

Meter RS485 interface adopts Modbus-RTU communication protocol, which defines the address, function code, data, check code in detail. It is the necessary content to complete the data exchange between the host and slave machine.

7.2 Introduction to the function code

7.2.1 Function code 03H or 04H: Read the registers

This function allows the user to acquire the data collected and recorded by equipment and the system parameters. The number of data requested by hosts has no limit, but cannot exceed the defined address range.

The following example shows how to read a measured insulation resistance value from 01 slave computer, with the address of the value of 0008H.

The host computer sends		Send message	The slave computer returns		Return message
Address code		01H	Address code		01H
Function code		03H	Function code		03H
Start address	High byte	00H	Bytes		02H
	Low byte	08H	Register data	High byte	00H
Number of registers	High byte	00H		Low byte	50H
	Low byte	01H	CRC check code	Low byte	B8H
CRC check code	Low byte	05H		High byte	78H
	High byte	C8H			

7.2.2 Function code 10H: Write the registers

The function code 10H allows the user to change the contents of multiple registers, which can write the time and date in this meter. The host can write up to 16 (32 bytes) data at a time.

The following example shows a preset address of 01 with an installation date and time of 12:00, Friday, December 1, 2009.

The host computer sends		Send message	The slave computer returns		Return message
Address code		01H	Address code		01H
Function code		10H	Function code		10H
Start address	High byte	00H	Start address	High byte	00H
	Low byte	04H		Low byte	04H
Number of registers	High byte	00H	Number of registers	High byte	00H
	Low byte	03H		Low byte	03H
Number of registers		06H	CRC check code	Low byte	C1H
0004H data	High byte	09H		High byte	C9H

	Low byte	0CH
0005H data	High byte	01H
	Low byte	05H
0006H data	High byte	0CH
	Low byte	00H
CRC check code	Low byte	A3H
	High byte	30H

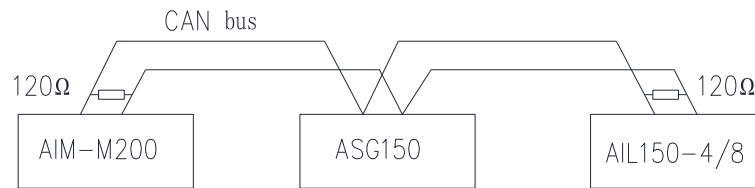
7.3 Parameter address table of AIM-M200

No.	Address	Parameter	Read-Write	Value Range	Data Type
1	0000H	Protecting passwords	R/W	0001~9999 (Default 0001)	word
2	0001H high	RS485 address1	R/W	1~247 (Default 1)	word
	0001H low	RS485 Baud1	R/W	1~3: 4800, 9600, 19200 (unit bps) (Default 2)	
3	0002H high	CAN address	R/W	1-110 (Default 1)	word
	0002H low	Fault location or not	R/W	1: yes, 0: no (Default 0)	
4	0003H high	LCD contrast ratio	R/W	0~63 (Default 0)	word
	0003H low	Backlight timeout	R/W	0: Normally open, 1~99 (Unit is Min)	
5	0004H high	Year	R/W	1~99	word
	0004H low	Month	R/W	1~12	
6	0005H high	Day	R/W	1~31	word
	0005H low	Week	R/W	1~7	
7	0006H high	Hour	R/W	0~23	word
	0006H low	Minute	R/W	0~59	
8	0007H high	Second	R/W	0~59	word
	0007H low	Reserve	R		
9	0008H	Insulation resistance	R/W	10~999 (Unit is kΩ)	word
10	0009H	Load current	R/W	0~500 (Unit is 0.1A)	word
11	000AH	Transformer temperature	R/W	40~140 (Unit is °C)	word
12	000BH high	Reserve			word

	000BH low	Fault type	R	Bit0: 0 normal; 1 Insulation resistance fault Bit1: 0 normal; 1 Overload fault Bit2: 0 normal; 1 Transformer overheat fault Bit3: 0 normal; 1 L1 or L2 disconnection fault Bit4: 0 normal; 1 PE or KE disconnection fault Bit5: 0 normal; 1 Temperature sensor disconnection Bit6: 0 normal; 1 Current transformer disconnection Bit7: 0 normal; 1 Device fault		
13~16	000CH~000FH	Reserve				
17	0010H	Insulation resistance set value	R/W	10~999 (Unit kΩ) (default 50)	word	
18	0011H	Load current set value	R/W	14, 18, 22, 28, 35, 45 (Unit A) (default 35)	word	
19	0012H	Transformer temperature set value	R/W	0~200 (Unit °C) (default 70)	word	
20~23	0013H~0016H	Reserve	R			
24	0017H high	Reserve	R		word	
	0017H low	Event control parameters	R	The storage event record number of next event		
25	0018H high	Event record 1	Reserve	R	word	
	0018H low		STA1	R		SOE1 type: 0~6 0: No fault record 1: Insulation fault 2: Overload fault 3: Over temperature fault 4: L1 disconnection 5: PK disconnection 6: TC disconnection
26	0019H high		Year1	R	SOE1 time - year	word
	0019H low		Moth1	R	SOE1 time - month	
27	001AH high		Day1	R	SOE1 time - day	word
	001AH low		Hour1	R	SOE1 time - hour	
28	001BH high		Minute1	R	SOE1 time - minute	word
	001BH low		Second1	R	SOE1 time - second	
29~64	001CH~003FH		Store the other 9 event records in the same format as the first one			

7.4 CAN communication description

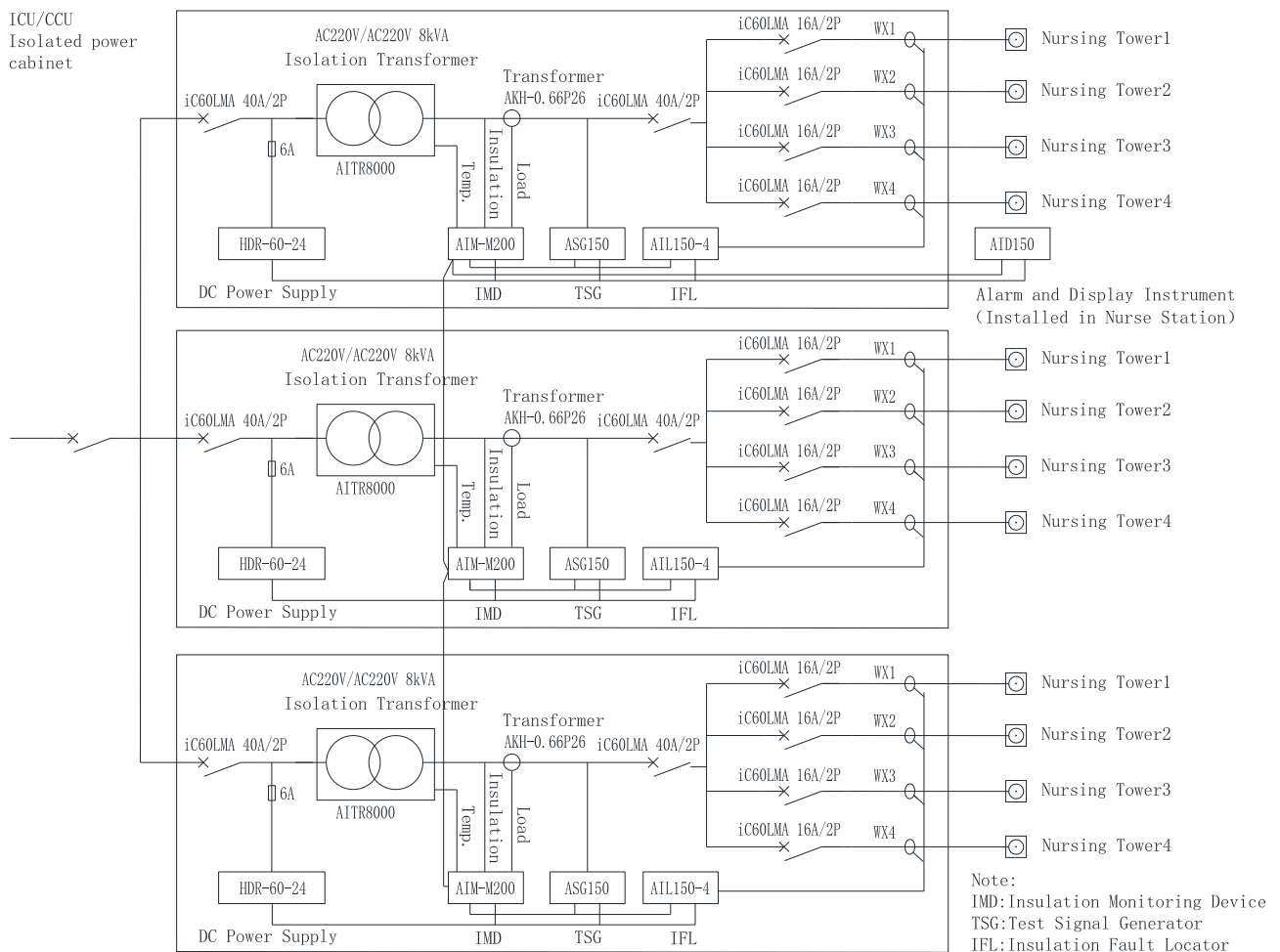
(1) Connect with shielded twisted pair according to the following figure. Note each of the two terminals of the CAN bus wire should be added a matched resistance of 120Ω.



(2) When setting CAN address, in, it is only needed to set the CAN address of AIM-M200 to any value between 1 to 110 after the 4 meters are on a unified power, then save the value and the CAN address of ASG150, AIL150 can be simultaneously set the same with address of AIM-M200. In the confirmation of saving the AIM-M200 CAN address, note whether the communication lights of ASG150 and AIL150 are flashing several times. If flashing, the address settings are normal, otherwise, it is needed to check the communication wiring and confirm that the wiring is intact and then reset.

8 Typical applications

Applications of insulation monitoring and fault locating seven pieces of products in ICU/CCU.



Note: The grounding bat in the isolated power supply cabinet should be connected reliably with the equipotential terminals in the field.

9 Powerup and debugging instructions

9.1 Wiring check

For each set of IT system, the wiring check should be conducted before powerup, mainly checking whether there is wrong, missed or short connection. The examination can be conducted sequentially in the following order according to the wiring diagrams shown in section 5.4 of this manual:

(1) Check if each seven-piece suite forms a separate IT distribution system, and ensure that the current, resistance, and temperature signal wirings of each insulation monitor are connected to the same isolation transformer and IT system composed of it.

(2) Check whether the L and N input terminals of each set of the HDR-60-24 power supply module are connected to the 0 and 230V terminals of primary side of the isolated transformer. Whether the +V and -V of its 24V output terminal is respectively connected with the 1(24V) and 2(G) terminals of AIM-M200, 1(24V) and 2(G) terminals of ASG150, 1(24V) and 2 (G) terminals of AIL150-4(or-8), 24V and G terminals of AID150, and the positive and negative poles are all correctly connected.

(3) Check whether the 8(I0) and 9(I1) terminals of AIM-M200 in each system are reliably connected to the terminals of the transformer AKH-0.66P26 socketed to the secondary side of the corresponding isolation transformer, and are not grounded. The transformer only passes one of the two lines of the output terminals of the isolation transformer.

(4) Check whether the 11(T0) and 12 (T1) terminals of AIM-M200 in each system are reliably connected to the two ST terminals of the isolation transformer.

(5) Check whether the 4 (L1), 5 (L2) terminals of AIM-M200 and 5 (L1), 7 (L2) terminals of ASG150 in each of the systems are reliably connected to the two lines of the IT system (that is the secondary side of the isolation transformer).

(6) Check whether the 13 (FE), 14 (KE) terminals of AIM-M200 in each system are respectively connected to the on-site equipotential terminals through wires, in the meanwhile the S terminals of isolation transformer and the 1 (PE) terminals of ASG150 are reliably connected to the equipotential terminals.

(7) Check whether the 18 (H), 19 (L) terminals of AIM-M200 meter CAN communication in each system are respectively connected to the 8 (H), 9 (L) terminals of ASG150, 21 (h), 22 (L) terminals of AIL150-4 (or-8), and the CAH, CAL terminals of AID150 in the way of hand in hand, which are reliable connections with the positive and negative poles correct.

(8) If each isolation transformer has a cooling fan, check whether the cooling fan power supply control is connected to the 20, 21 terminals of AIM-M200 in this system.

(9) Finally check the two load power lines of each branch in the IT system, and check whether the two lines pass through the transformer on the AIL150-4/8 meter panel by a top-down approach.

9.2 Common faults and eliminations

Make sure the wirings are correct and power on the system. Then check whether each meter is abnormal, and whether there is a fault alarm in AIM-M200. For common problems, the causes can be determined and the faults can be eliminated according to the phenomenon of each instrument and the fault types:

Equipment name	Fault phenomenon	Possible causes and troubleshooting
AIM-M200 insulation monitoring instrument	Liquid crystal display: LL disconnection fault, and the insulation indicator	4 and 5 terminals of AIM-M200 are not reliably connected to the two lines of the output terminal of the isolation transformer. Check the wirings and make sure they are reliably connected.
	Liquid crystal display: FK disconnection fault, and the insulation indicator	13 and 14 terminals of AIM-M200 are not reliably connected to the equipotential terminals. Check the wirings and make sure they are reliably connected.
	Liquid crystal display: TC disconnection fault, and the overheat indicator	11 and 12 terminals of AIM-M200 are not reliably connected to the two ST terminals of the isolation transformer. Check the wirings and make sure they are reliably connected.
	Liquid crystal display: insulation fault, and the insulation indicator	At least one of the two lines in the IT system at the secondary side of the isolation transformer has a grounding fault, after elimination it can be restored to normal.
	The instrument is not lit.	The 24V power supply of AIM-M200 is not connected well. Check the wirings of 1 and 2 terminals and make sure they are reliably connected.
HDR-60-24 power supply	Powerup indicator is not lit.	Check whether the wirings of 220V power input are normal and whether the voltage between the two terminals is within the allowable input range.
ASG150 test signal generator	The instrument is not lit.	The 24V power supply is not connected well. Check the wirings of 1 and 2 terminals and rewire.
	Test indicator is red.	5 and 7 terminals are not reliably connected to the secondary side of the isolation transformer. Rewire until the indicator turns green after powerup.
AIL150-4/8 fault locator	The instrument is not lit.	The 24V power supply is not connected well. Check the wirings of 1 and 2 terminals and rewire.
	Unable to locate the insulation fault	<p>①The communication line with other instruments in the system is not connected well. Troubleshoot the communication line and confirm whether the matching resistors are well connected.</p> <p>②The CAN address is not set up properly. Disconnect the CAN bus of other connected system instruments, and reset CAN address through its corresponding insulation monitoring instrument.</p> <p>③Instrument problem, which is needed to return to the factory to be solved.</p>
AID150 centralized	The instrument is not lit.	The 24V power supply is not connected well. Check the wirings of 24V and G terminals and rewire.

alarm and display instrument	Communication indicator does not flash	① Communication parameters are not set properly, check communication parameters (address, baud rate). ②The communication line with other instruments in the system is not connected well. Troubleshoot the communication line and confirm whether the matching resistors are well connected.
------------------------------	--	---

Note: If faults occur, interrupt the power to troubleshoot, and adjust the wirings until everything is normal.

9.3 Settings and debugging

(1) After the system is powered on, set the AIM-M200 load current alarm value according to the capacity of the isolation transformer. The corresponding relations between alarm current and isolation transformer capacity are: 45A---10kVA, 35A---8kVA, 28A---6.3kVA, 14A---3.15kVA. After you set up, follow the process step by step to exit and save the setting parameters. The default alarm current value of the instrument is 35A, if the matching transformer is 8kVA, then this parameter does not need to be set.

(2) Open the AIM-M200 fault locating function. Enter the AIM-M200 communication settings menu and set the LOCAT item to YES, then quit and save to start this function.

(3) Address settings. To ensure the realization of fault location function, it is necessary to set the can communication address of aim-m200, and set the can communication address of asg150 and ail150 through this operation. Before setting, make sure that the CAN bus wiring of aim-m200, asg150, ail150 and other products in the same it system is correct, and a 120 Ω matching resistance is added at the end (the resistance must be added, otherwise communication may not be possible). You can also connect the ail150 to the head or end of the CAN bus, and turn all its dial switches to the "1" position). Power on the system, enter the communication setting menu of aim-m200, set the can communication address, press enter to confirm, press self check to return and save. If the communication indicators of asg150 and ail150 flash during the saving process, the can communication address of asg150 and ail150 is also set successfully. The number of addresses is recommended to start at 1.