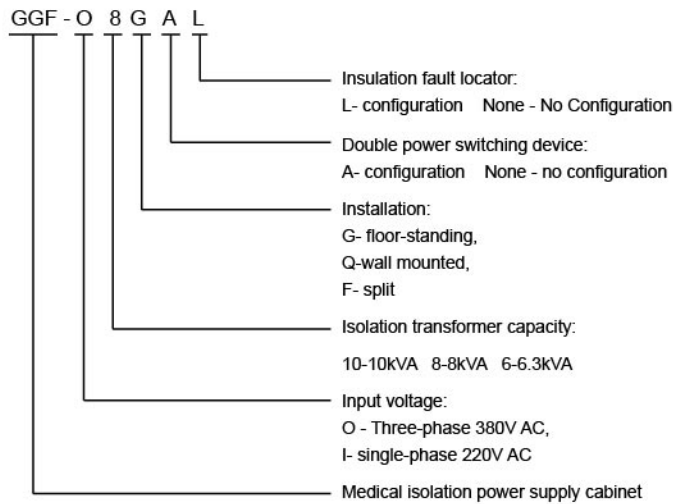


Medical Isolation Power Supply Cabinet

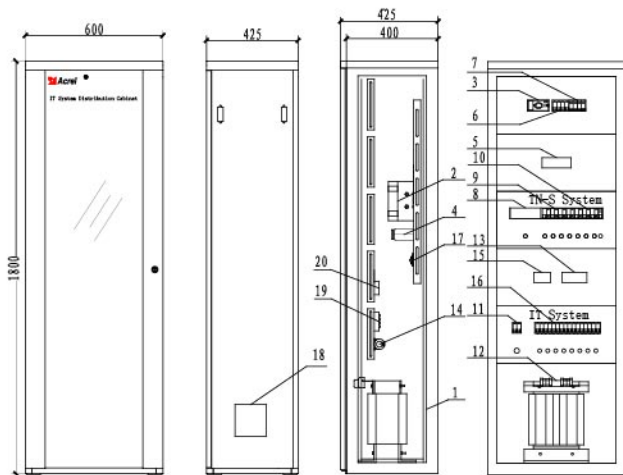


Product Type and Meaning



Dimension Drawings and internal layout

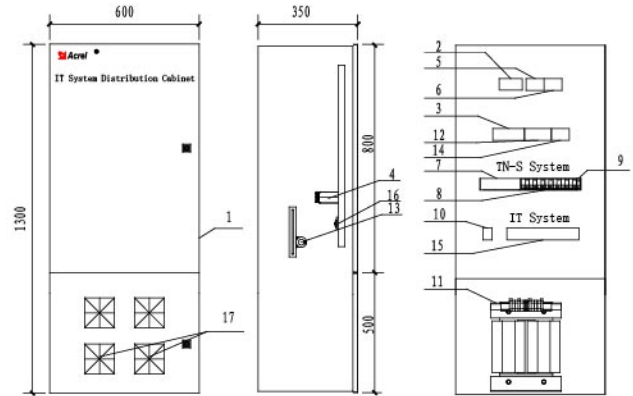
■ GGF Series floor-mounted distribution cabinet



| NO. | Name | NO. | Name |
|-----|-------------------------------|-----|----------------------------|
| 1 | cabinet body | 6 | Circuit breaker |
| 2 | Double power switching device | 7 | Surge protector |
| 3 | Disconnecting switch | 8 | Residual current protector |
| 4 | Current transformer | 9 | Residual current protector |
| 5 | Power meter | 10 | Circuit breaker |

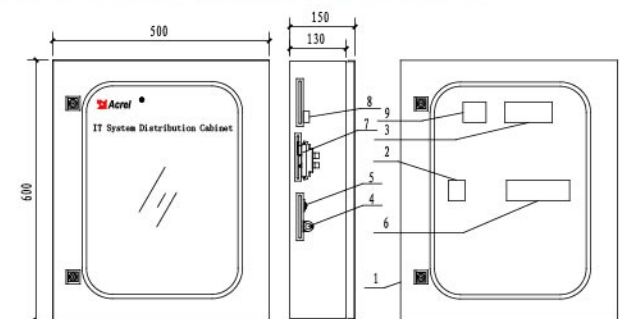
| NO. | Name | NO. | Name |
|-----|------------------------------|-----|--------------------------|
| 11 | Circuit breaker | 16 | Circuit breaker |
| 12 | Isolated transformer | 17 | PE |
| 13 | Insulation monitoring device | 18 | Cooling fan |
| 14 | Current transformer | 19 | Insulation fault locator |
| 15 | Test signal generator | 20 | Power module |

■ GGF Series wall-mounted distribution cabinet



| NO. | Name | NO. | Name |
|-----|-------------------------------|-----|------------------------------|
| 1 | cabinet body | 10 | Circuit breaker |
| 2 | Double power switching device | 11 | Isolated transformer |
| 3 | Power meter | 12 | Insulation monitoring device |
| 4 | Current transformer | 13 | Current transformer |
| 5 | Circuit breaker | 14 | Power module |
| 6 | Surge protector | 15 | Circuit breaker |
| 7 | Residual current protector | 16 | PE |
| 8 | Residual current protector | 17 | Cooling fan |
| 9 | Circuit breaker | | |

■ GGF Series split type distribution cabinet



| NO. | Name | NO. | Name |
|-----|------------------------------|-----|--------------------------|
| 1 | cabinet body | 6 | Circuit breaker |
| 2 | Circuit breaker | 7 | Insulation fault locator |
| 3 | Insulation monitoring device | 8 | Power module |
| 4 | Current transformer | 9 | Test signal generator |
| 5 | PE | | |

Technical parameters

| Technical parameters | GGF-IXG | GGF-IXQ | GGF-IXF | GGF-OXG | GGF-OXQ | GGF-OXF |
|-----------------------|--|---------------------------------------|---------|---|---------------------------------------|---------|
| Rated voltage | 220V AC | | | 380V/220V AC | | |
| Rated capacity | 3.15/5/6.3/8/10 | | — | 3.15/5/6.3/8/10 | | — |
| Rated frequency | 50/60Hz | | | | | |
| Distribution circuit | IT Systems: 4 or 5 channels AC220V (can be customized) | | | IT Systems: 8 channels AC220V (can be customized) | | |
| | — | | | TN—S Systems: 1 AC380V, 8 AC220V | | |
| IP level | IP31 | IP34D | | IP31 | IP34D | |
| Installation | Grounded | Embedded | | Grounded | Embedded | |
| Inlet and outlet line | Bottom inlet and bottom outlet | Both bottom and top have access lines | | Bottom inlet and bottom outlet | Both bottom and top have access lines | |
| Communication | RS485(Modbus-RTU) | | | | | |